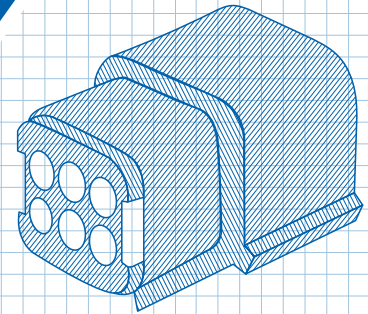


Dielectric Grease for Electrical Connectors


Rheotemp™ 769G

Formulated for advanced fretting corrosion prevention, with UV dye for application validation.

The number of electrical connectors and electronic circuits in devices such as cars, planes, appliances, industrial machinery, trucks or boats is continuously growing. Failure of these components, from short circuit to continuity loss, present a major concern as issues can vary from nuisance to increased warranty costs to critical safety problems. The constant exposure to moisture, corrosive environments, and vibration can also accelerate the failure or malfunction of connector components.



ADVANTAGES OF RHEOTEMP™ 769G

-  Seal & protect from environment
-  Extend reliability of connectors
-  Prevent fretting wear
-  Prevent corrosion
-  Insulate from short circuits
-  Reduce mating force

FRETTING WEAR

The Nye test monitors fretting cycles (micromotion) of terminals until resistance increases 100 milliohms over the static baseline, to predict the lifetime of terminals.



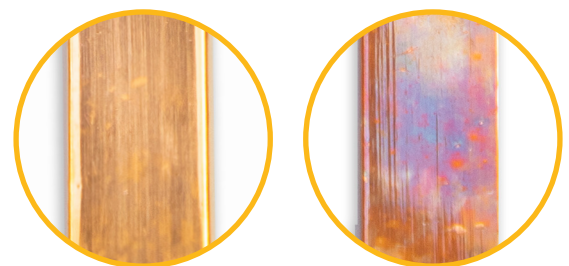
769G
18.7MM cycles

UNLUBRICATED
0.5MM cycles

Test Conditions: 2.8mm APEX Copper-Tin Terminals, 10Hz, 100 microns, 50% Failure Values

COPPER CORROSION

The ASTM D-4048 is an accelerated test to indicate how a lubricant protects copper surfaces over time, using a 12 segment scale from 'Slightly Tarnished' (1a) to 'Very Tarnished' (4c).



769G
Slightly Tarnished (1a)

UNLUBRICATED
Dark Tarnish (3b)

Test Conditions: 100°C, 24 hours



TYPICAL PROPERTIES

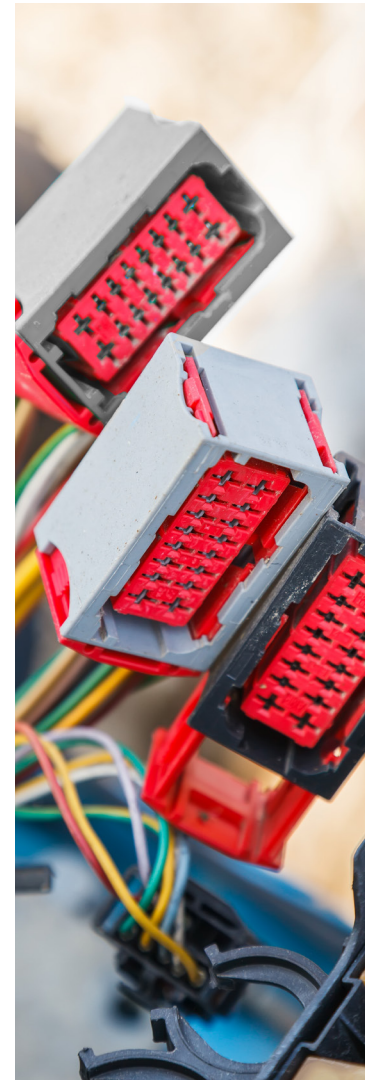
Base Oil Properties	Conditions	NyoGel® 769G	Test Method
Chemistry		PAO/Alkylated Naphthalene	
Temperature Range		-40 to 175°C	
Kinematic Viscosity	100°C / 40°C	10 cSt / 66 cSt	ASTM D-445
Viscosity Index		134	ASTM D-2270
Grease Properties			
NLGI Grade		2	
Oil Separation	24 hrs, 100°C	0.97%	ASTM D-6184
Evaporation	24 hrs, 100°C	0.13%	NYE CTM
Water Washout	1hr, 80°C	1.6%	ASTM D-1264
Salt Spray Resistance	750 hrs	No Corrosion	ASTM B117-18
Copper Corrosion	24 hrs, 150°C	1A, Slight Tarnish	ASTM D-4048
Dielectric Breakdown Voltage		28.7 KV	NYE CTM

PACKAGING OPTIONS

Nye greases are available in a variety of packaging sizes for both high-volume production dispensing and small volume dispensing, such as field repair activities.

-  110 pound keg
-  30cc clear syringe
-  7 pound pail
-  100 gram tube

Please contact us at orders@nyelubricants.com for more information.



Since 1844: Our performance is reflected in the value we bring to our customers.

Nye Lubricants is a leader in the innovation, formulation and provision of synthetic lubricants, enabling and improving breakthrough products and critical new technologies. We bring proven experience, deep technical knowledge and customer focus to solve our customers' toughest challenges, adding tangible value to products in a wide range of industries and applications.

Nye Lubricants, Inc.

12 Howland Road
 Fairhaven, MA 02719 USA
 Ph: +1.508.996.6721
 Email: contact@nyelubricants.com

NyeLubricants.com

